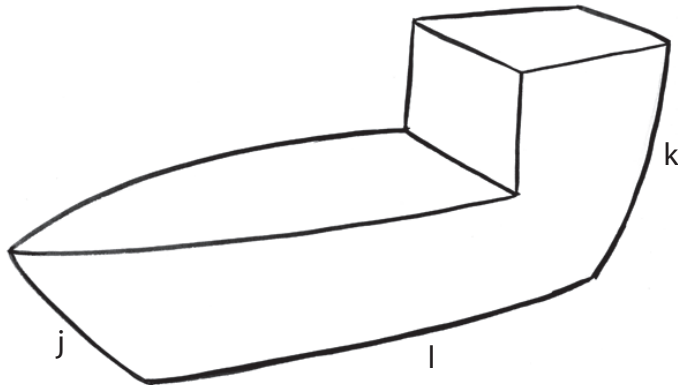


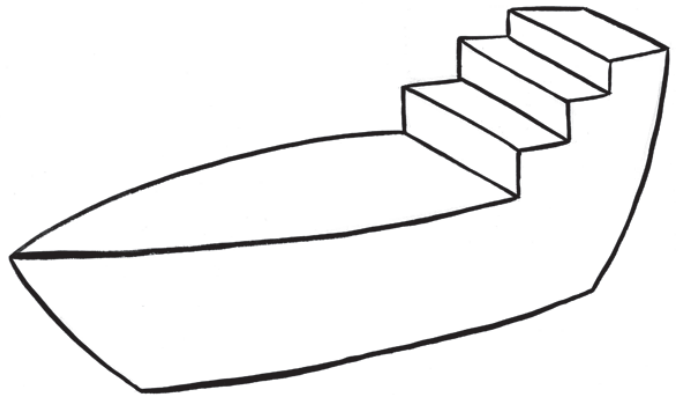
### Step 5

Connect (j) and (k) with a long rounded line (l). (l) bows slightly down in the middle to give the ship volume.



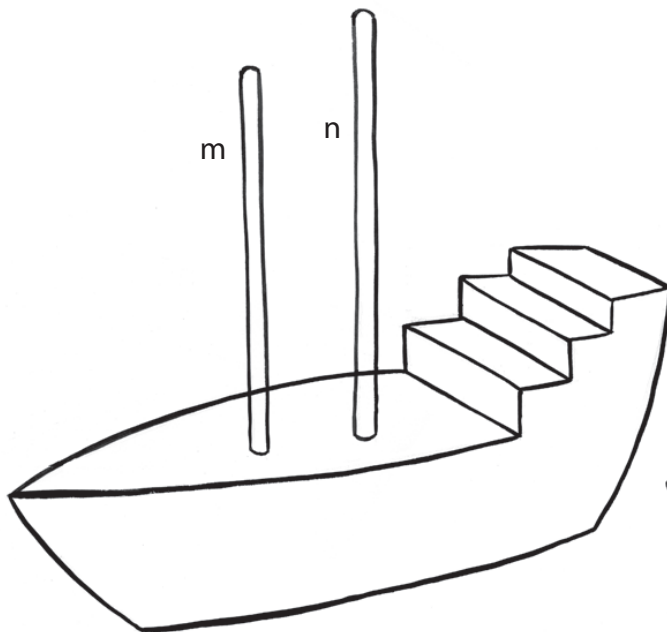
### Step 6

Now we create "stairs" on the back of the ship. The stairs are actually the pirates' living quarters. All the lines of the stairs are parallel.



### Step 7

Next, we add two long cylinders (m) & (n) to create the masts. The masts go straight up and down. Notice they are curved up on top and down on the bottom.



### Step 8

We draw lines across the masts to make a structure for the cloth. Four lines on each mast. All of them are parallel, and about equal length.

